

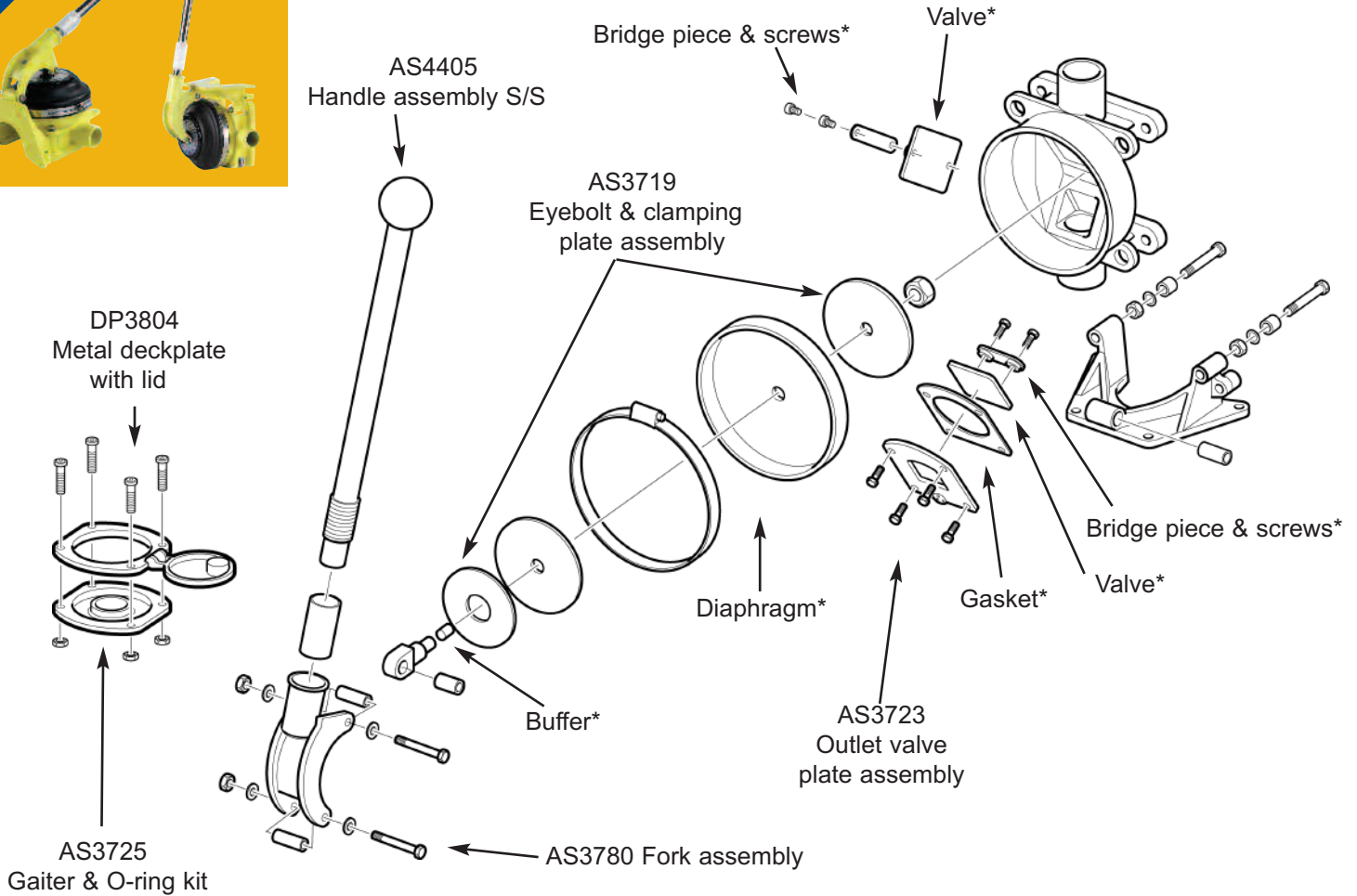
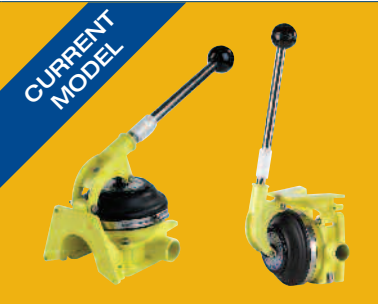


Manual Bilge Pumps

Gusher® 10 Mk 3

On Deck/Bulkhead: BP3708, Thru Deck/Bulkhead: BP3740 - Diecast Alloy Bilge Pump

Note* Contained in Service Kit AK3076 (Neoprene™) or AK3714 (Nitrile®)



Accessories

- DP3804 Alloy Deckplate
- DP8904 Plastic Deckplate with Lid
- AS4405 Spare Handle
- SB4222 Side Entry Strainer
- SB5865 Top Entry Strainer
- SF5425 1 1/2" Skin Fitting
- LV1215 1" / 1 1/2" Non Return Valve
- EB3488 1 1/2" Elbow

Service Kits

- AK3706 Service Kit with Complete Set of Serviceable Parts for Whale Gusher® 10 Mk 2 & Mk 3 Pumps (Neoprene™) (See list below)**
 - AK3714 Service Kit with Complete Set of Serviceable Parts for Whale Gusher® 10 Mk 2 & Mk 3 Pumps (Nitrile®)**
- | Qty | Containing |
|-----|-------------------------|
| 2 | Valve (Mk 2 pump only) |
| 4 | Screw 3/8" |
| 4 | Screw 1/2" |
| 2 | Bridge piece |
| 1 | Diaphragm |
| 1 | Buffer |
| 2 | Valve (Mk 3 pump only) |
| 1 | Gasket (Mk 3 pump only) |

- AS3719 Bushed Eyebolt & Clamping Plate Assembly**
- | Qty | Containing |
|-----|----------------|
| 2 | Clamping plate |
| 1 | Nut |
| 1 | Fulcrum bush |
| 1 | Eyebolt |
| 1 | Buffer |
| 1 | Label |

- AS3780 Fork Assembly**
- | Qty | Containing |
|-----|----------------|
| 1 | Fork |
| 1 | Insert fork |
| 2 | Bolt |
| 2 | Fulcrum sleeve |
| 2 | Nut |
| 4 | Washer |
| 2 | Fulcrum bush |



Manual Bilge Pumps

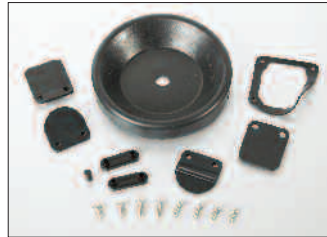
Gusher® 10 Mk 3

On Deck/Bulkhead: BP3708, Thru Deck/Bulkhead: BP3740 -

Diecast Alloy Bilge Pump



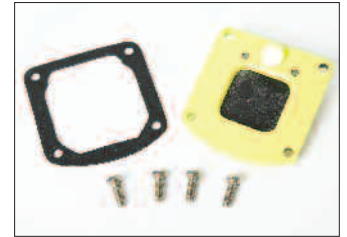
AK3706



AK3714



AS3719



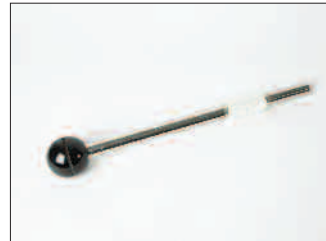
AS3723



AS3725



AS3780



AS4405



DP3804



DP8904



SB4222



SB5865



SF5425

Note: Cast body and mounting bracket are not available as service parts.

Service Kits (Continued)

AS3723 Outlet Valve Plate Assembly (Mk 3 only)

Qty	Containing
2	Screw
4	Screw
1	Bridge piece
1	Valve (Mk 3 Pump)
1	Valve plate
1	Gasket

AS3725 Gaiter Kit for Deckplates

Qty	Containing
1	Gaiter (for metal or plastic deckplate)
1	O-ring (for metal deckplate)